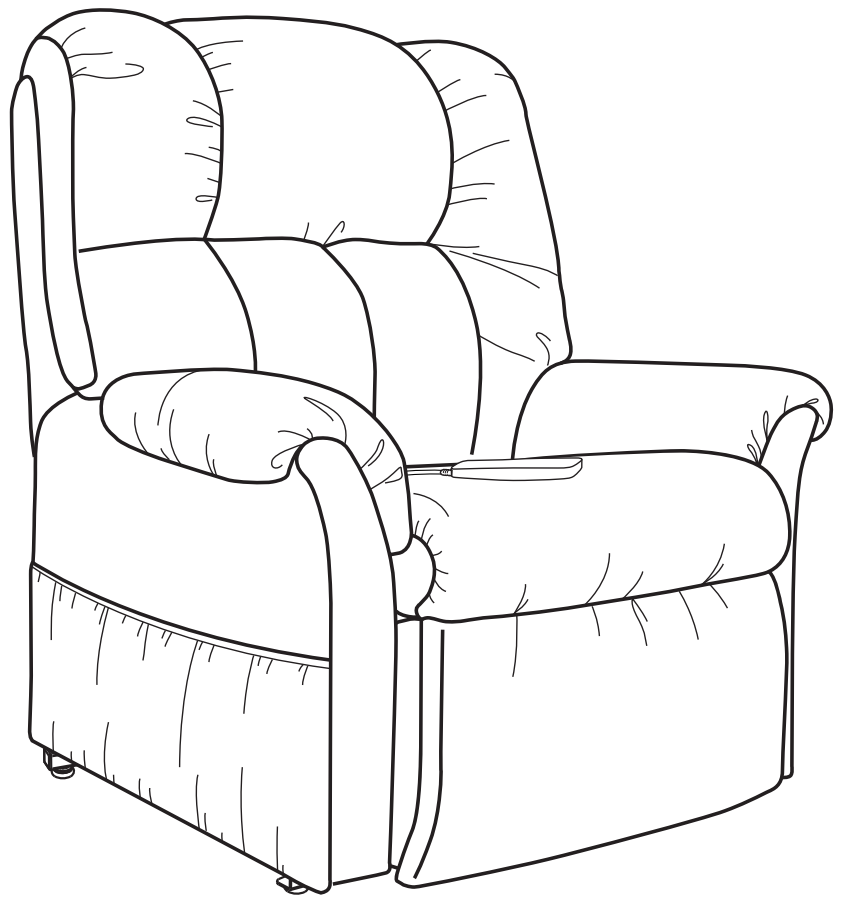


# *Viva* LIFT!®

## POWER RECLINERS

By Pride® Mobility Products Corp.



Included in this document: Hand Control Reference Guide,  
Fabric Care, Assembly, Warranty, and Weight Capacity



**NOTE:** This quick reference guide offers basic hand control functions, general care instructions, basic assembly information, warranty information and weight capacity information for your chair. Before operating the chair, thoroughly read the owner's manual and all other supplemental documents for information on safety, basic operation and care and maintenance.

**NOTE:** These products are non-medical devices and are not meant to assist, treat, diagnose or alleviate any medical condition or disability.

The illustrations reflect those hand controls with the highest level of functionality. The hand control you receive may have fewer options, but basic functionality is the same.

The premier feature of the VivaLIFT!™ Power Recliner is that you have the ability to adjust your feet and back independently to achieve your perfect position. For example, the seat back can recline until it is horizontal to the floor. To achieve this, press and hold seatback recline button ("8") (as shown in **figure 1**) until it is fully reclined.

### HAND CONTROL IDENTIFICATION KEY

#### 1. USB PORT

Use to connect to/charge USB enabled devices.

**NOTE:** iPhone users must use **ONLY MFI-certified cables when charging iPhone devices.**

#### 2. HEADREST IN BUTTON

Press and hold to move headrest in.

#### 3. HEADREST OUT BUTTON

Press and hold to move headrest out.

#### 4. LUMBAR SUPPORT IN BUTTON

Press and hold to move lumbar support in.

#### 5. LUMBAR SUPPORT OUT BUTTON

Press and hold to move lumbar support out.

#### 6. UP BUTTON

Press and hold to return all chair power options to the neutral position, while lifting you into an upright position.

#### 7. DOWN BUTTON

Press and hold to lower chair to seated or reclined position.

#### 8. SEATBACK RECLINE BUTTON

Press and hold to recline the seatback.

#### 9. SEATBACK INCLINE BUTTON

Press and hold to raise the seatback.

#### 10. LEG REST UP BUTTON

Press and hold to raise the legrest.

#### 11. LEG REST DOWN BUTTON

Press and hold to lower the legrest.

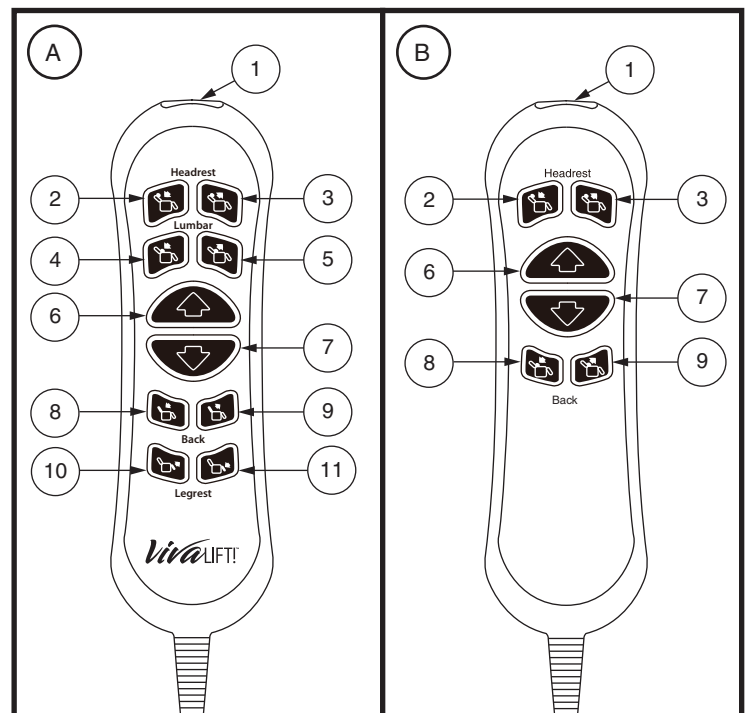


Figure 1. Hand Control - Styles A and B

**FABRIC CARE INSTRUCTIONS**

The fabric covering this piece of furniture is very durable for everyday living. Clean only with water-based shampoo or foam upholstery cleaner. Do not over wet. Do not use solvents to spot clean. Light scrubbing will help with any tougher spots that may have developed. Always check a small spot of fabric in an area that is unseen to be sure the cleaning agent being used will not discolor or fade the fabric's finishing. Let the chair air dry and vacuum for the best result.

**CHAIR BACK ASSEMBLY**

**NOTE:** *If your chair is an Infinite model, refer to the assembly instructions provided with the chair. For the 2-position model, the KD sleeves are located on the inside as shown in figure 2.*

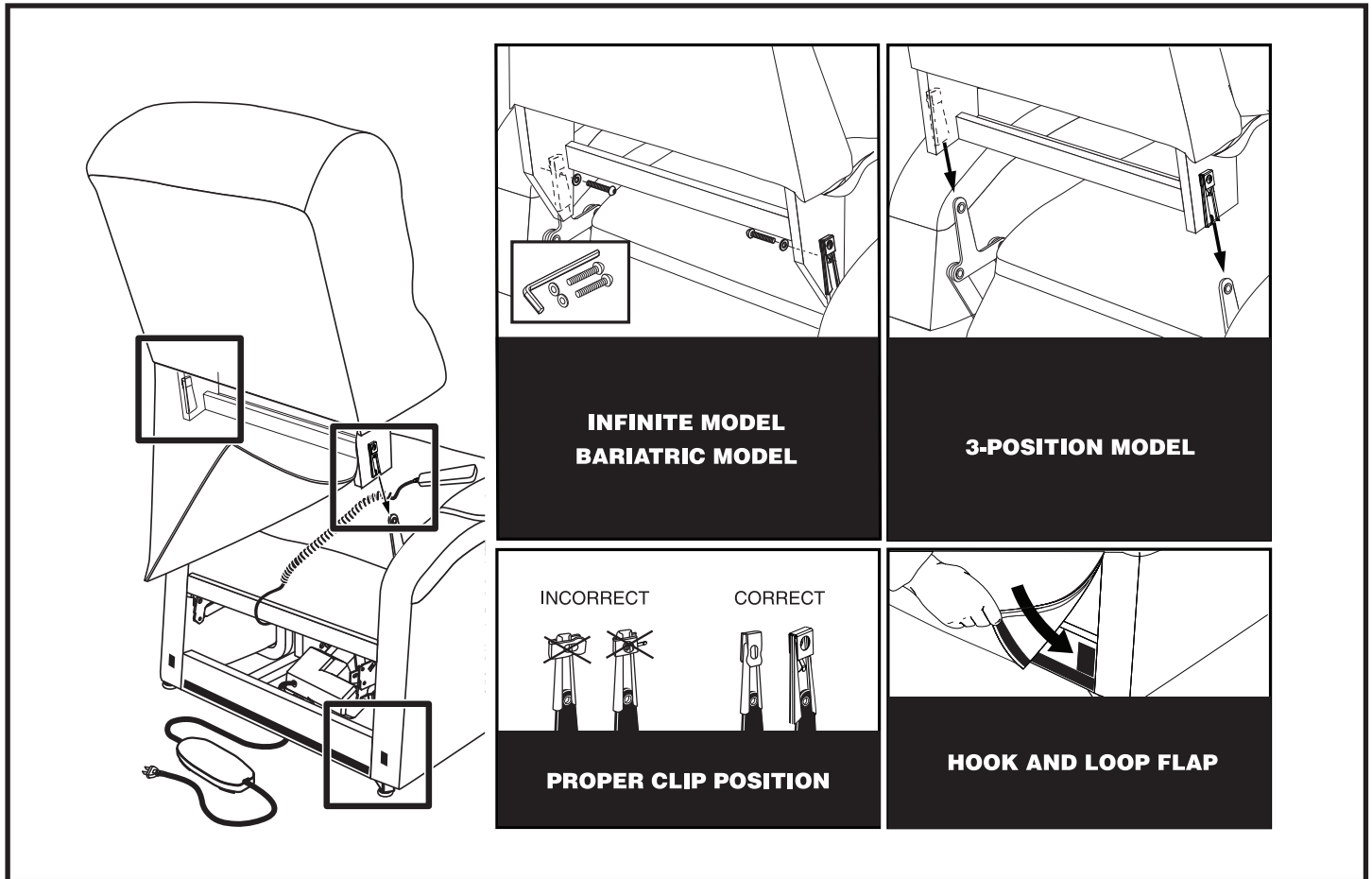


Figure 2. Chair Assembly

1. Check that the locking clip on the back of the chair is in the vertical position. Reposition if necessary.
2. Drape the hand control and cable over the chair base, then slide the back onto the base. Ensure the hand control cable is routed through the rear of the chair.

**NOTE:** *Depending on chair width, you may need to slide on one side of the back at a time. If this is the case, level the chair-back before pressing down to lock into position.*

3. Push firmly on the top of the back to lock into position. You must hear a click from each side of the chair to ensure the back is locked in properly.

**NOTE:** *Pull up on the chair-back to ensure that it is locked in place.*

4. Plug in the lumbar and headrest connectors. If your model is Headrest Only, you only need to plug in the Headrest.
5. If your model has back wings, align the KD sleeves, and slide the wing down into place, see **figure 3**. Please note there is a label on the brackets. Please assemble them as indicated (1-1 and 2-2).
6. Connect the Power Transformer cable to the corresponding plug coming from the back of the chair, (**see figure 2**).
7. Connect the Power Cord into the Power Transformer (**see figure 2**).
8. Connect the power cord into an electrical outlet near where the chair will be used.

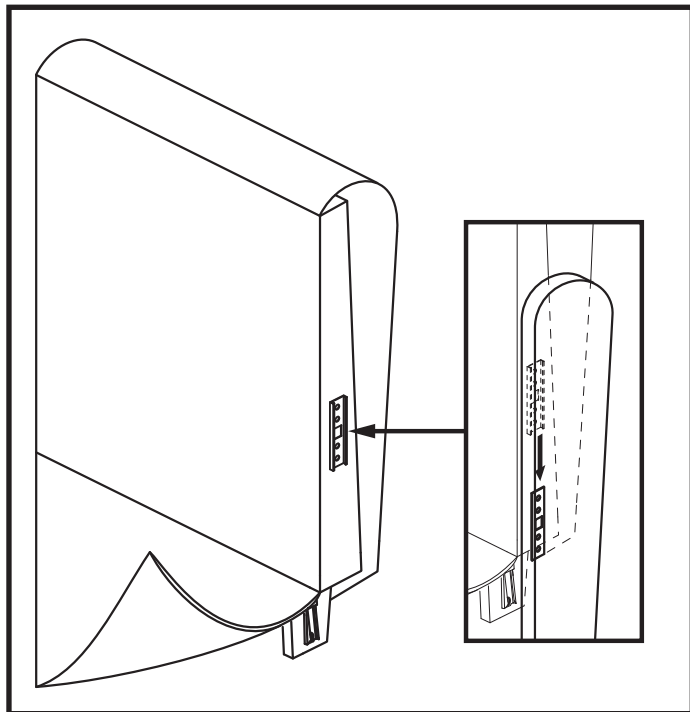


Figure 3. Wing Back Installation

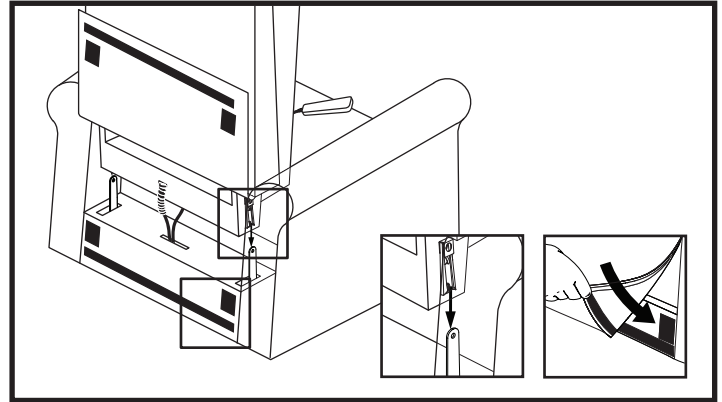
**POWER HEADREST MOTOR CONNECTIONS**

For initial use, troubleshooting or chair reassembly, you may have to connect or reconnect the power headrest motor wires.

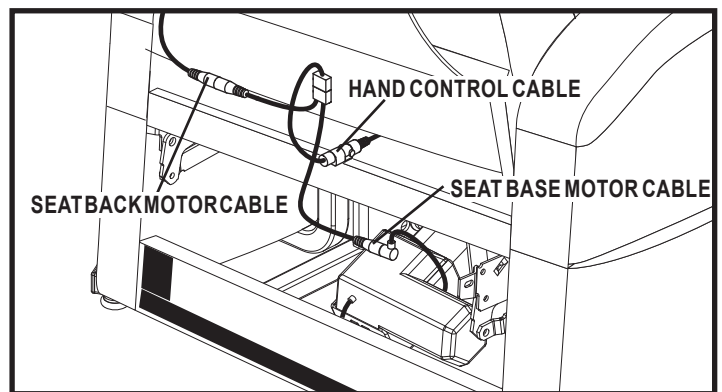
1. Lay the seatback, face down, on the chair base and route all cables through the wire access point as shown.

**Note: If you do not have a “Y” cable, proceed to step 3.**

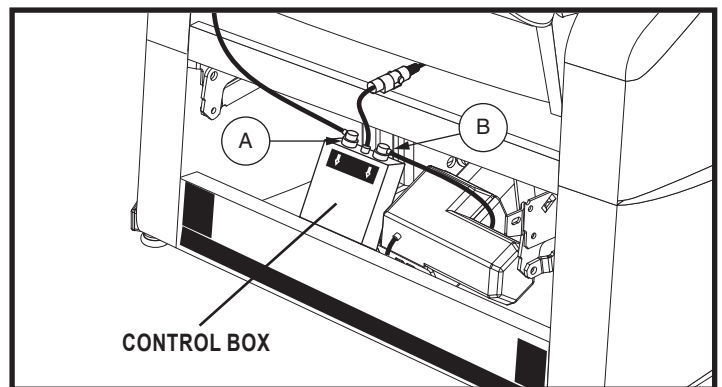
2. For chairs equipped with a “Y” cable, plug the seat base motor cable into the motor box connector, and plug the hand control cable and the seatback motor cable into the “Y” cable connectors.
3. For chairs equipped with a control box, plug the cable marked “A” into the control box’s “A” port, and the cable marked “B” into the control box’s “B” port. Plug the controller cable into the center wire connector.



**Figure 5. Power Headrest Cable Routing**



**Figure 6. Power Headrest Cable Connections**



**Figure 7. Power Headrest Control Box Connections**





Rev D/June 2021



I N F I N I T Y B 3 9 3 5